

CR Series Round Single Pole Specialty Rocker Switches

Features/Benefits

- Round actuator and body
- Nice styling
- Multiple illuminated versions available
- IP65 splash proof rubber boot option

Typical Applications

- Appliances, small and large
- Office equipment
- Computers and peripherals
- Audio/Video equipment
- RoHS compliant



Models Available

Specifications

CONTACT RATING:

UL: 16 AMPS @ 125 VAC, 10 AMPS @ 250 VAC.

VDE μ T85: 16 AMPS @ 125 VAC, 10 AMPS @ 250 VAC.

ELECTRICAL LIFE: 10,000 make and break cycles at full load.

INSULATION RESISTANCE: $10^8 \Omega$ min.

DIELECTRIC STRENGTH: 1,500 VRMS @ sea level.

OPERATING TEMPERATURE: -20°C to + 85°C

Materials

HOUSING AND ACTUATOR: 6/6 nylon (UL94V-2), matte finish.

ILLUMINATED ACTUATOR: Polycarbonate, matte finish.

CENTER CONTACTS: Silver plated, copper alloy.

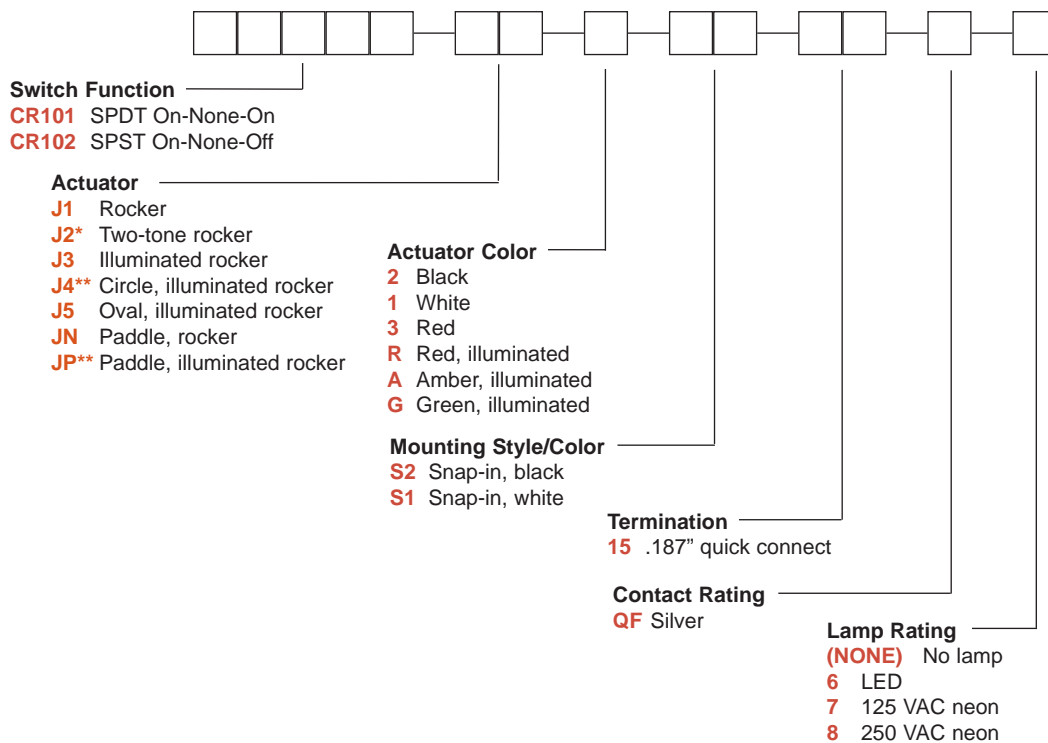
END CONTACTS: Silver plated AgSnO₂InO₃.

ALL TERMINALS: Silver plated, copper alloy.

NOTE: Specifications and materials listed above are for switches with standard options. For information on specific and custom switches, consult Customer Service Center.

Build-A-Switch

To order, simply select desired option from each category and place in the appropriate box. Available options are shown and described on pages H-83 through H-85. For additional options not shown in catalog, consult Customer Service Center.



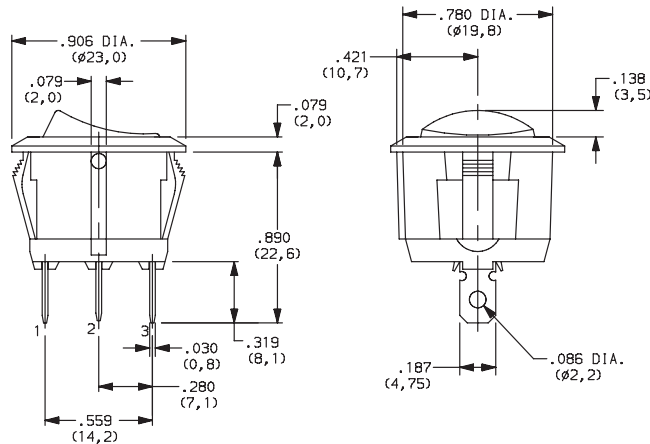
* Refer to table on page 84 for actuator options.

** VDE rating for JP: 10 A @ 125 VAC / 6 A at 250 VAC.

CR Series Round Single Pole Specialty Rocker Switches

SWITCH FUNCTION

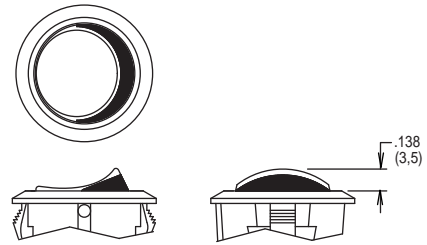
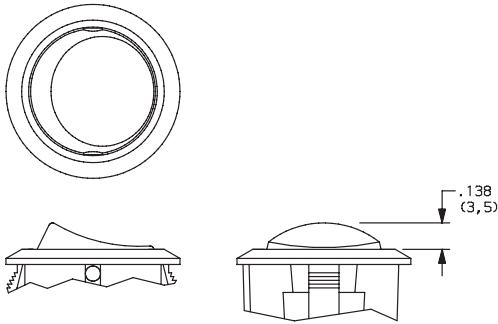
NO. POLES	MODEL NO.	SWITCH FUNCTION			CONNECTED TERMINALS			SCHEMATIC
		Pos. 1	Pos. 2	Pos. 3	Pos. 1	Pos. 2	Pos. 3	
	CR101	ON	NONE	ON	2-3		2-1	
	CR102	ON	NONE	OFF		N/A		 For 7 & 8 Illuminated Versions



ACTUATOR

- J1** ROCKER
- J3** ILLUMINATED ROCKER

- J2** TWO-TONE ROCKER



NOTE: J3 actuator available with 7 & 8 lamp ratings and CR102 switch function only.



Dimensions are shown: Inch (mm)
Specifications and dimensions subject to change



Rocker

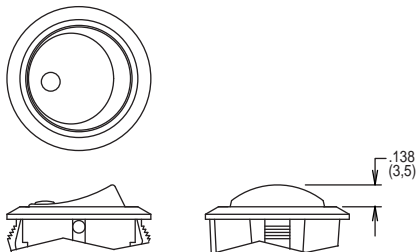


CR Series Round Single Pole Specialty Rocker Switches

ACTUATOR

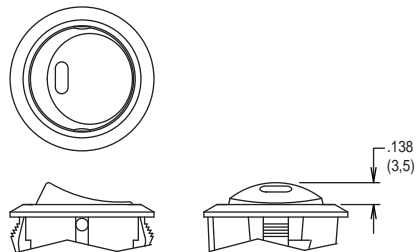


J4 CIRCLE, ILLUMINATED ROCKER



NOTE: Available with CR102 switch function and 7 & 8 lamp ratings only.

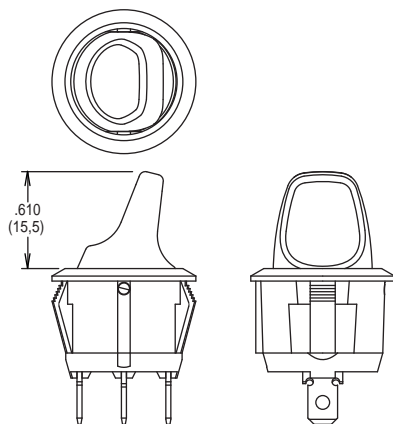
J5 OVAL, ILLUMINATED ROCKER



NOTE: Available with CR102 switch function and 6 lamp rating only.

JN PADDLE, ROCKER

JP PADDLE, ILLUMINATED ROCKER



NOTE: JP actuator available with CR102 switch function and 7 & 8 lamp ratings only.

ACTUATOR COLOR



OPTION CODE	ACTUATOR COLOR
2	BLACK
1	WHITE
3	RED
R	RED, ILLUMINATED
A	AMBER, ILLUMINATED
G	GREEN, ILLUMINATED

OPTION CODE	ACTUATOR COLOR	
	TOP	BOTTOM
1	WHITE	RED
2	WHITE	BLACK
3	RED	WHITE
4	BLACK	WHITE
5	BLACK	RED

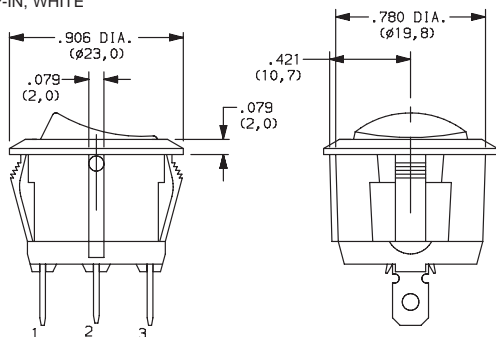
J2 actuator only

MOUNTING STYLE/COLOR

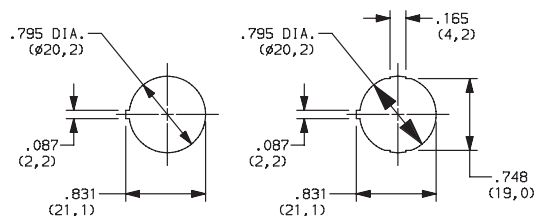


S2 SNAP-IN, BLACK

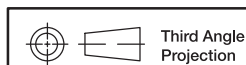
S1 SNAP-IN, WHITE



PANEL MOUNTING



Rocker



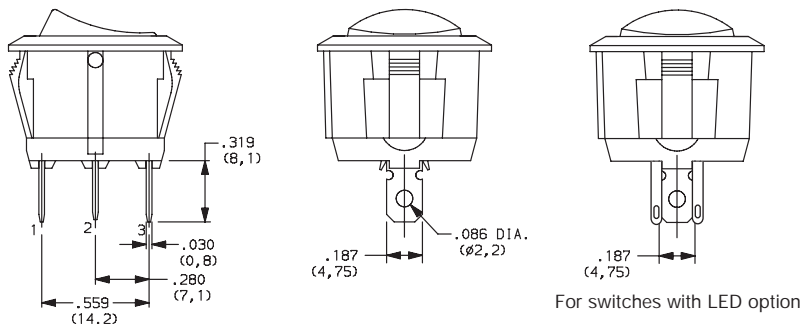
Third Angle Projection

Dimensions are shown: Inch (mm)
Specifications and dimensions subject to change

CR Series Round Single Pole Specialty Rocker Switches

TERMINATION

15 .187" QUICK CONNECT



CONTACT MATERIAL

OPTION CODE	CONTACT AND TERMINAL MATERIAL	RATINGS	
QF	SILVER	POWER	16 AMPS @ 125 VAC; 10 AMPS @ 250 VAC

* Note: See Technical Data section of this catalog for RoHS compliant and compatible definitions and specifications.

LAMP RATING

- (NONE)** NO LAMP
- 6** LED RATING @ 10 mA $V_f=1.85V$
- 7** 125 VAC 33kΩ NEON
- 8** 250 VAC 150kΩ NEON

NOTE: Lamp rating for J3 actuator option.

ACCESSORIES

377C00000 IP65 SPLASH PROOF RUBBER BOOT

